

# HOW TO INSTALL STURDI-WALL® ANCHOR BRACKETS



Sturdi-Wall® anchor brackets are designed to connect post-frame structures to traditional concrete foundations such as monolithic slabs, formed walls, and existing concrete pads.

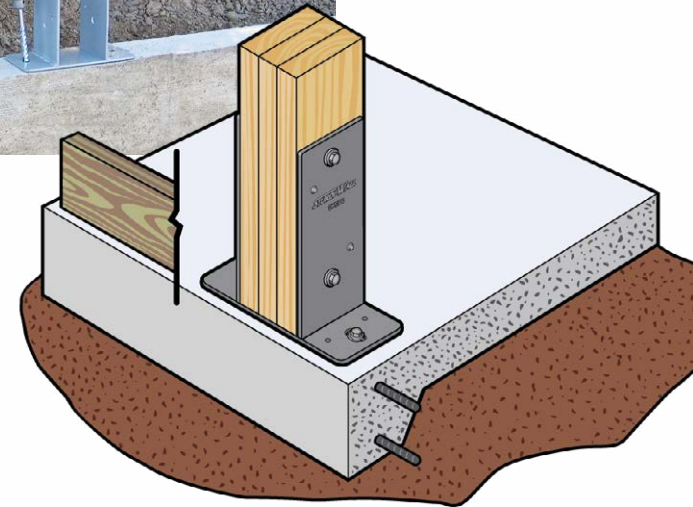
## Step-by-step installation instructions

- 1 Drill a hole in the base material using a carbide drill bit the same diameter as the nominal diameter of the anchor to be installed. Drill the hole to the specified embedment depth plus 1/2" minimum to allow the thread tapping dust to settle. Blow it clean using compressed air. Overhead installations need not be blown clean. Alternatively, drill the hole deep enough to accommodate embedment depth and dust from drilling and tapping.
- 2 Insert the anchor through the fixture and into the hole.
- 3 Tighten the anchor into the base material until the hex washer head contacts the fixture.
- 4 If the anchor will not install completely, remove the anchor and assure that all dust has been evacuated or drill the hole deeper. Begin re-installation of the anchor by hand to prevent cross-threading.
- 5 Do not use impact wrenches to install into hollow concrete masonry unit.

**CAUTION:** Oversized holes in the base material will reduce or eliminate the mechanical interlock of the threads with the base material and will reduce the anchor's load capacity. Use the screw anchor one time only. Installing the anchor multiple times may result in excessive thread wear and reduce load capacity.



**STURDI-WALL**  
ANCHOR BRACKETS



Our hardware kits offer all you need to assemble our family of products. Kits are available in a variety of options. **View our product guide for more information.**

# STURDI-WALL® ANCHOR BRACKETS

## How to connect Sturdi-Wall® brackets to wood columns

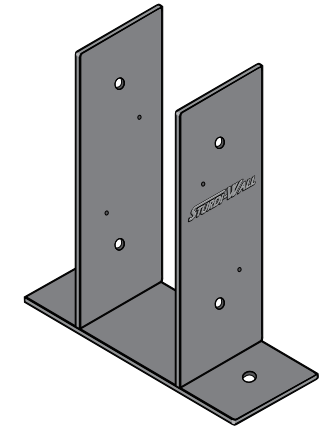
- 1 The wood column should be flat and square on the end that is being attached to the Sturdi-Wall® bracket. Before attaching, the column must be seated firmly against the bottom of the bracket pocket.
- 2 Without pre-drilling, install the 1/4" x 3" screws.
- 3 When drilling the 1/2-inch thru hole in the wood column, do not wallow out hole to get alignment. It may be necessary to drill from both sides of the metal U bracket.
- 4 When installing the 1/2" bolt, use a flat washer on the hex head side of the bolt and a flat washer, lock washer, and nut on the other side of the metal U bracket (a serrated flange nut can be substituted on this side). Bolts should be tightened to 110 to 120 foot-pounds.

### Sturdi-Wall® hardware requirements

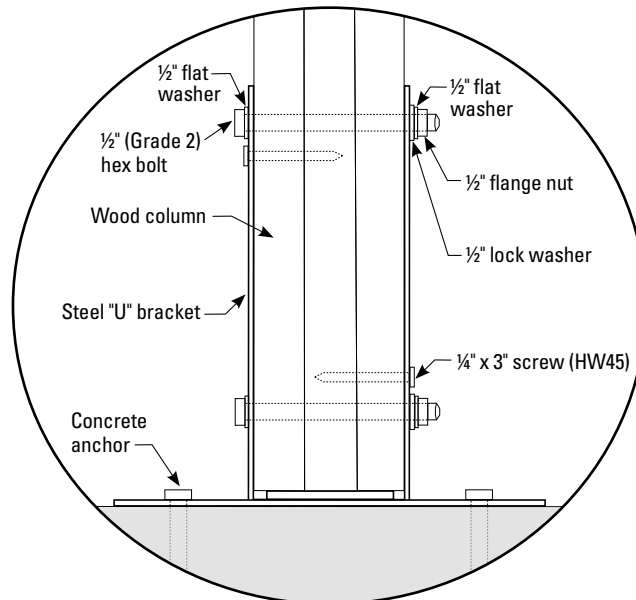
- (2) 1/2" diameter A307 (Grade 2) hex bolts
- (2) 1/2" lock washers\*
- (4) 1/2" flat washers\*
- (2) 1/2" flange nuts\*
- (4) or (8) 1/4" x 3" screws (HW45 or equivalent)\*\*

\* Serrated flange nuts may be substituted in place of the flat washer, lock washers, and nut on one side.

\*\* Four pieces used per column except on the 2 x 8 models, which take eight pieces.



For more information, see the Sturdi-Wall® design manual at [permacolumn.com](http://permacolumn.com).



Sturdi-Wall® using flange nuts

**STURDI-WALL**  
ANCHOR BRACKETS

